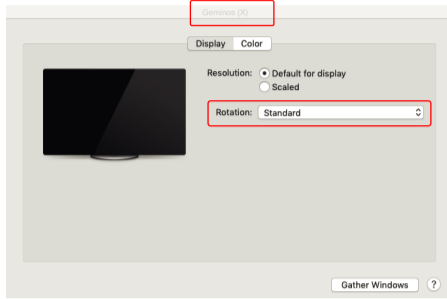
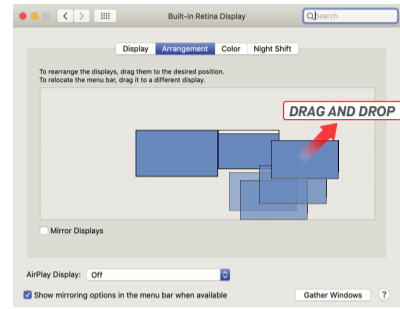


6.4 Rotate Display and Layout set up for Mac OS

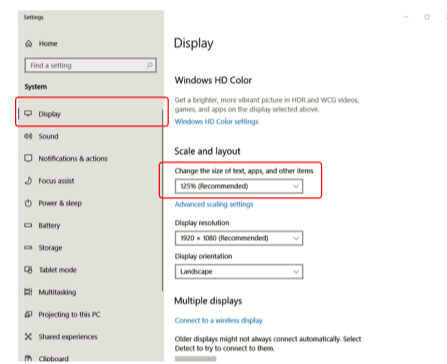
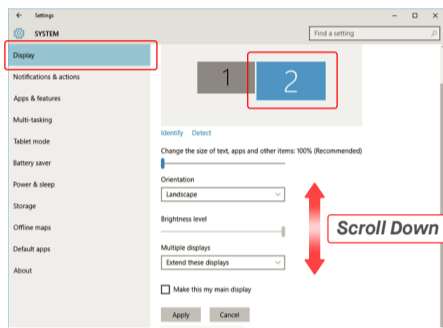
- To position the display on either left or right, simply drag and drop it to the side you want.

- To rotate the display, go to the Geminos (x) display window and choose the suitable "Rotation" options.



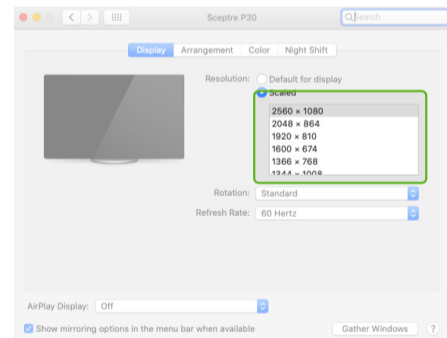
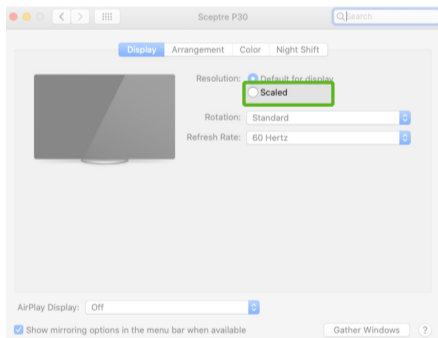
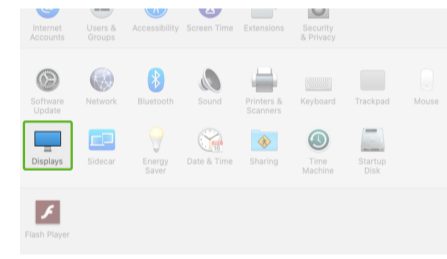
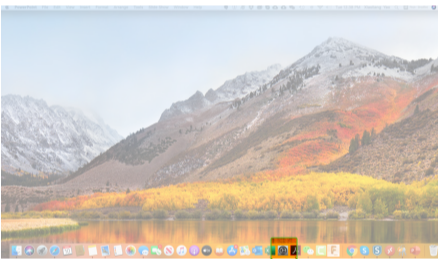
6.5 Change Display Settings to Adjust Content Size for Windows

1. To adjust content size on Geminos (X) monitor, first click on the number "2" monitor under Display setting.
2. Scroll down and look for "scale and layout" options
3. Default size of text is set at 125% and user can increase it up to 175% or reduce back to 100% base on user preference.



6.6 Change Display Settings to Adjust Content Size for Mac OS

1. Click System Preferences
2. Click Displays
3. Hold down "Option" key and click "Scaled"
4. Select the resolution that fits your need



7 Touchscreen Operation (Windows Only)

Please refer to section 3. Must connect bottom display with either method 2 or method 3.

8 Technical Information

	Geminos	Geminos X
Touch screen	X	✓
Product Dimensions	20"x 22"	20"x 22"
Display Size	24" 2x	24" 2x
Thickness	4"	4"
Weight	20 lbs	20 lbs
Color	black	black
Brightness	250N	300N
Resolution	1080P	1440P
Refresh Rate	60Hz	75Hz
Panel Type	IPS	IPS
Backlight	LED	LED
Color Depth	6 BIT	6 BIT
Color Gamut	97% SRGB	99% SRGB
Contrast Ratio	1000:1	1000:1
Response Time	14 ms	14 ms
Viewing Angle	89 Degrees	89 Degrees
PPI	97	123
Display Finish	Anti-Glare or	Anti-Glare or
Power Consumption	Matte	Matte
Speakers	35W Total 5W x2	35W Total 5W x2

Compatibility

Operation System	Mac, Windows, and Linux *Linux and Chrome are Supported via HDMI signal	Mac, Windows, and Linux *Linux and Chrome are Supported via HDMI signal
Devices	Laptop, Desktop, Xbox, Playstation	Laptop, Desktop, Xbox, Playstation
Pass-Through Charging	100W USB-C pass-through charging will take 1-2 hours	100W USB-C pass-through charging will take 1-2 hours

SAFETY AND HANDLING

IMPORTANT SAFETY INFORMATION

Carefully go through the user manual and other documentation before setting up the GEMINOS/GEMINOS X. If any part is broken or damaged, do not try to open GEMINOS/GEMINOS X or attempt to fix it yourself, please contact the retailer, a qualified service technician or email us directly at contact@mobilepixels.us. Store GEMINOS/GEMINOS X under appropriate conditions, avoid exposure to extreme heat, moisture and dust. We recommend you to place GEMINOS/GEMINOS X on a stable surface and keep your GEMINOS/GEMINOS X in a sleeve to protect it during transport. Never spill liquid of any kind onto the surface or into the openings of the GEMINOS/GEMINOS X. Do not spray any cleaner on the screen to avoid an electric shock. If your GEMINOS/GEMINOS X gets wet, unplug all cables and reconnect till the GEMINOS/GEMINOS X is completely dry. Carefully unplug all cables before cleaning GEMINOS/GEMINOS X. Clean with a soft, dry, lint-free cloth. To ensure satisfactory experience, use the GEMINOS/GEMINOS X with recommended display size of your laptop. Please disconnect the cables when you reverse the position of GEMINOS/GEMINOS X, decouple the GEMINOS/GEMINOS X from the backplane of your laptop, rotate 180°. About a vector normal to the backplane, and re-couple to the backplane of the laptop computer.

FCC COMPLIANCE STATEMENT

This device complies with Part 15 of the FCC Rules. Operation is subject to the following two conditions: 1. This device may not cause harmful interference. 2. This device must accept any interference received including interference that may cause undesired operation. Note: This equipment has been tested and found to comply with the limits for a Class B digital device, pursuant to Part 15 of the FCC Rules. These limits are designed to provide reasonable protection against harmful interference in a residential installation. This equipment generates, uses, and can radiate radio frequency energy, and if not installed and used in accordance with the instructions, may cause harmful interference to radio communications. However, there is no guarantee that interference will not occur in a particular installation. If this equipment does cause harmful interference to radio or television reception, which can be determined by turning the equipment off and on, the user is encouraged to try to correct the interference by one or more of the following measures: 1. Reorient or relocate the receiving antenna. 2. Increase the separation between the equipment and receiver. 3. Connect the equipment into an outlet on a circuit different from that to which the receiver is connected. 4. Consult the dealer or an experienced radio/TV technician for help.

CHOKING HAZARD

Geminos/Geminos X and accessories contain small parts that may present a choking hazard to small children, please keep them out of reach from small children.

WARRANTY

Mobile Pixels INC warrants this product for a period of 1 year upon the original date of purchase. Product or service warranty will not be extended to any losses or damages that are due to improper installation, misuse, neglect, modification, alteration by non-authorized third party, improper environment, or other irregularities.

MEDICAL DEVICE INTERFERENCE

The Geminos/Geminos X contains magnets. The Geminos/Geminos X also contains components and radios that emit electromagnetic fields. It may interfere with personal medical devices, e.g. pacemakers or defibrillators. Keep a safe distance between the Geminos/Geminos X and your medical device. Consult a physician or medical device manufacturer for specific details of your medical device. Stop using Geminos/Geminos X if the interference is observed with your personal medical devices. Items with magnetically-stored data such as credit cards and hard drives may be sensitive to magnetic or electromagnetic fields, hence should be kept at a distance from Geminos/Geminos X.

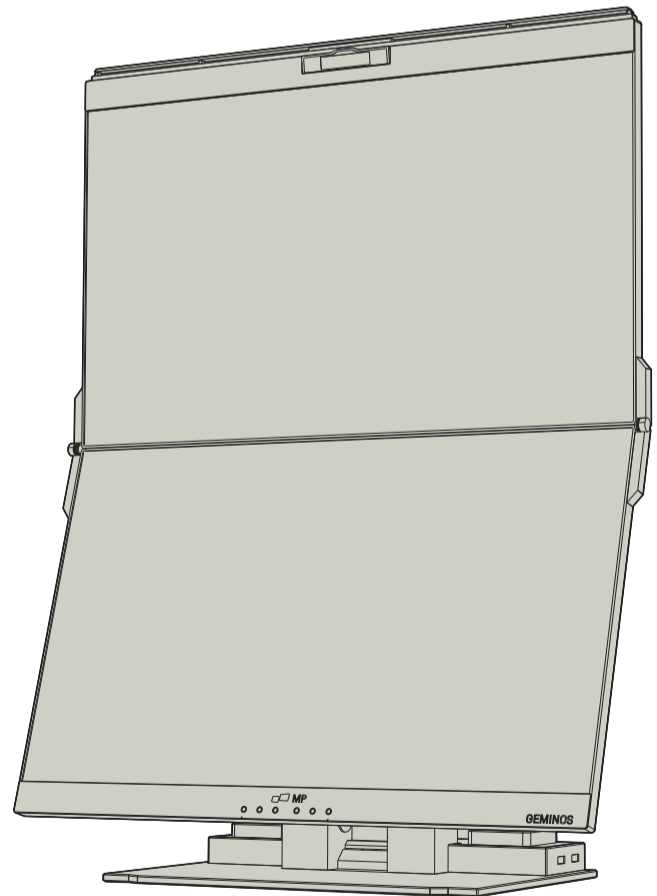
SUPPORT

For detailed troubleshooting information, contact:

CONTACT@MOBILEPIXELS.US

GEMINOS (x)®

24 inch stacked screens for enhanced productivity



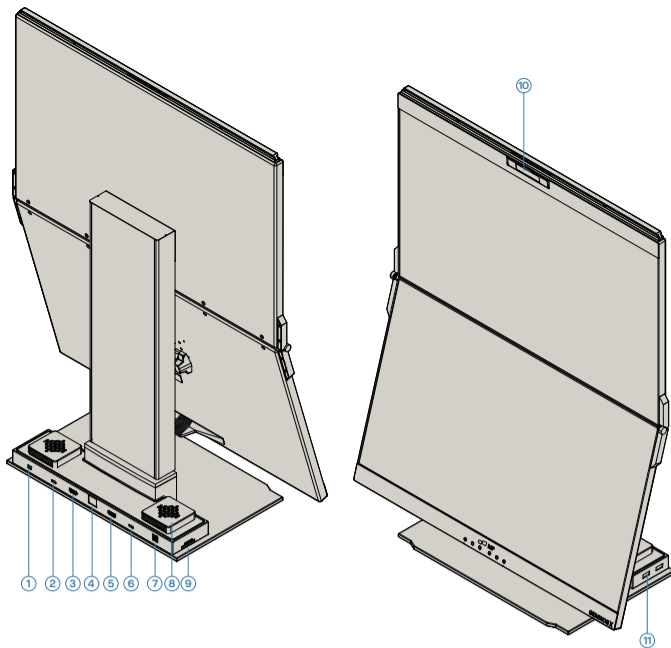
User Guide ▶

Copyright © 2021 MOBILE PIXELS INC. All Rights Reserved. No part of this manual, including the products and software described in it, may be reproduced, transmitted, transcribed, stored in a retrieval system, or translated into any language in any form or by any means, except documentation kept by the purchaser for backup purposes, without the express written permission of MOBILE PIXELS INC. Product warranty or service will not be extended if: (1) the product is repaired, modified or altered, unless such repair, modification or alteration is authorized in writing by MOBILE PIXELS INC.; or (2) the serial number of the product is defaced or missing. MOBILE PIXELS INC. PROVIDES THIS MANUAL "AS IS" WITHOUT WARRANTY OF ANY KIND, EITHER EXPRESS OR IMPLIED, INCLUDING BUT NOT LIMITED TO THE IMPLIED WARRANTIES OR CONDITIONS OF MERCHANTABILITY OR FITNESS FOR A PARTICULAR PURPOSE. IN NO EVENT SHALL ASUS, ITS DIRECTORS, OFFICERS, EMPLOYEES OR AGENTS BE LIABLE FOR ANY INDIRECT, SPECIAL, INCIDENTAL, OR CONSEQUENTIAL DAMAGES (INCLUDING DAMAGES FOR LOSS OF PROFITS, LOSS OF BUSINESS, LOSS OF USE OR DATA, INTERRUPTION OF BUSINESS AND THE LIKE), EVEN IF MOBILE PIXELS INC. HAS BEEN ADVISED OF THE POSSIBILITY OF SUCH DAMAGES ARISING FROM ANY DEFECT OR ERROR IN THIS MANUAL OR PRODUCT. SPECIFICATIONS AND INFORMATION CONTAINED IN THIS MANUAL ARE FURNISHED FOR INFORMATIONAL USE ONLY AND ARE SUBJECT TO CHANGE AT ANY TIME WITHOUT NOTICE, AND SHOULD NOT BE CONSTRUED AS A COMMITMENT BY MOBILE PIXELS INC. MOBILE PIXELS INC ASSUMES NO RESPONSIBILITY OR LIABILITY FOR ANY ERRORS OR INACCURACIES THAT MAY APPEAR IN THIS MANUAL, INCLUDING THE PRODUCTS AND SOFTWARE DESCRIBED IN IT. Products and corporate names appearing in this manual may or may not be registered trademarks or copyrights of their respective companies, and are used only for identification or explanation and to the owners' benefit, without intent to infringe.

1 Package overview

Overview

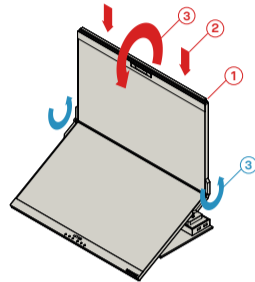
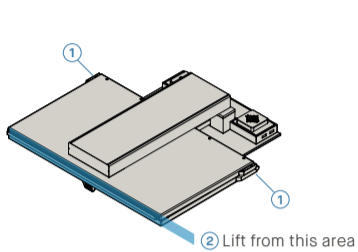
- ① Headphone Jack
- ② Top Display USB-C/DP in
- ③ Top Display HDMI in
- ④ Ethernet Connection
- ⑤ Bottom Display HDMI in
- ⑥ Bottom Display USB-C/DP in
(Must connect to activate USB HUB)
- ⑦ Power input
- ⑧ Speakers
- ⑨ SD/TF Card Slot
- ⑩ Camera
- ⑪ USB-A x2



Accessories

- ① Instruction manual
- ② HDMI Cable X2
- ③ USB-C Cable X2
- ④ USB-C Cable with USB Adapter X1
- ⑤ Power Supply

2 Operating Geminus & Geminus (X)



Setup Geminus(X)

- ① Remove Geminus(X) from packaging by lifting the indicated area.
- ② Lift handrail to open Geminus(X)
- ③ Push and Twist the side hinges to adjust position

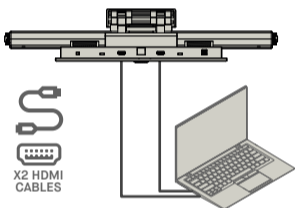
Collapsing Geminus(X)

- ① Push handrail on both sides all the way down
- ② Press down until you feel a "Click"
- ③ Geminus(X) is unlocked, slowly close top display into clamshell mode

3 Connect to Geminus(X)

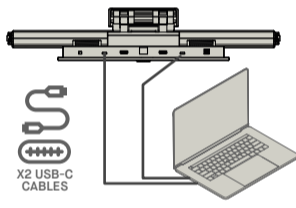
There are 3 ways to connect the geminos via USB-C and or HDMI. When setting up, treat the Geminus as two separate monitors.

HDMI + HDMI



Take the 2 HDMI cables and plug those into the side of your computer and the back of you monitor - one connection where it says "Top", and one where it says "Bottom".

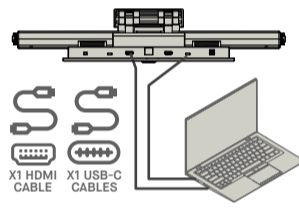
USB-C + USB-C



Take the 2 USB-C cables and plug those into the side of your computer and the back to you monitor - one connection where it says "Top", and one where it says "Bottom".

Disclaimer: This only works if you have two display enabled USB-C ports.

HDMI + USB



Use the HDMI cable to plug into the computer and into the back of the monitor, specifically in the "Top" port. Then connect USB-C into a display port enabled USB-C port and connect the other end into the "Bottom" port of the monitor.

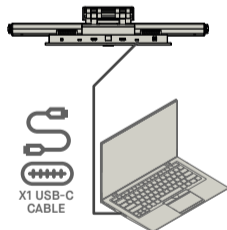
note: Webcam, Speakers, and Hub will only work with methods 2 and 3. For method 1 you will need an additional USB display.

Drivers

There are 2 ways to connect the Geminus via USB-C with a driver. Begin by heading over to our website www.mobilepixels.us and clicking driver at the top of the screen. Download the Geminus driver for your device - Windows or Mac.

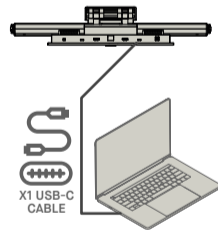
Windows Driver

After downloading and installing the driver, restart your device. Once restarted, use the USB-C cable marked with the red ribbon to connect to the device and then to the "Bottom" display port on the Geminus. Tip: if windows does not pop up after the driver has downloaded, find the driver in your folder.



Mac Driver

After downloading and installing the driver, restart your device. Once restarted, use the USB-C cable marked with the red ribbon to connect to the device and then to the "Bottom" display port on the Geminus. After connection, security questions should pop up. Once you have allowed all of them, you should see the Geminus power on.



Disclaimer: If you have an older Mac OS, instructions may vary.

4 USB Hub and Camera

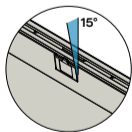
Must connect bottom display via method 2 or 3 to activate hub and camera

Hub Specs

- 2X USB A 3.0 Ports
- TF/SD Card Slot
- RJ 45 Ethernet Port @ 100Mbps
- 3.5mm Audio Jack
- 2X 5W Speakers

Camera Specs (adjustable Tilt)

- 15 Degrees adjustability
- Input mic included
- 1080P Resolution



5 Driver Installation

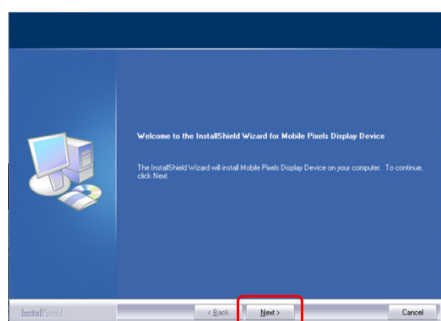
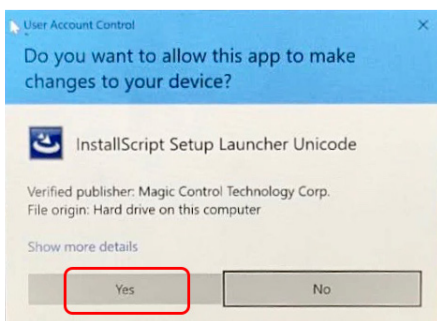
Connect Windows Laptop to Mobile Pixels Geminus (x), wait 20 secs and the monitor should turn on. In the event the monitor does not turn on, please follow the steps below:

5.1 Windows installation guide

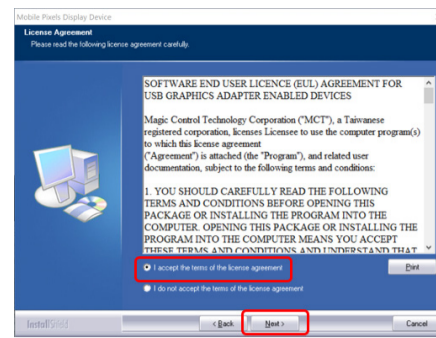
1. Please download the correct windows driver from:
2. Double click and launch the installer. Click "Yes" in the window below.

WWW.MOBILEPIXELS.US/PAGES/DOWNLOAD-DRIVERS

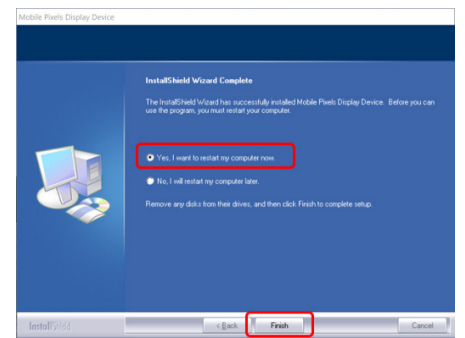
3. Click "Next" in the Window below:



4. Please select "I accept the terms of the license agreement" and click Next



5. Please select "Yes, I want to restart my computer now" and click Finish



5.2 Apple OS installation guide

Do not plug the Mobile Pixels Device into your mac before executing the driver installation

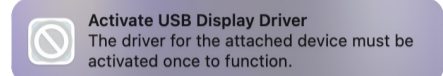
1. Please download the Mac driver from the link below. Run the "MP_Graphics_Driver_v3.4" file to load the drivers to the mac folder the mac folder

2. Click MP_Graphics_Driver_v3.4 please follow the instructions to install the device driver.



WWW.MOBILEPIXELS.US/PAGES/DOWNLOAD-DRIVERS

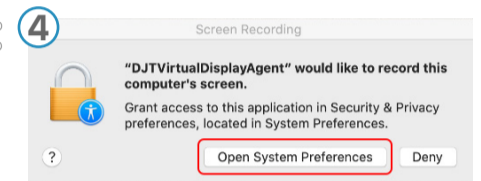
3. The system should pop-up a screen "System Extension Blocked" after installation asks the user to enable these extensions for the first time. Click "Open Security Preference" to go setting.



Important: This warning is not always shown. Even if it is not shown, for new installations the user must "Allow" to install the Mobile Pixels driver and restart the laptop



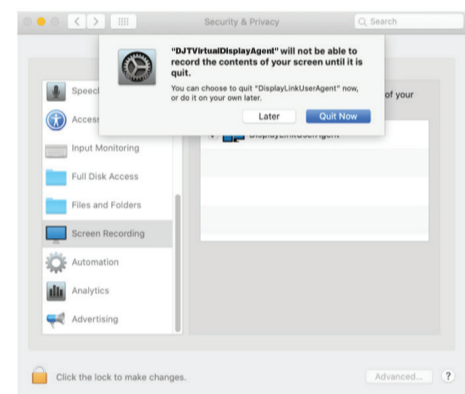
4. (After System Reboot) Connect Mobile Pixels device to Mac computer, a screen recording prompt should pop up "Click Open System Preferences"



5. Go to System Preferences > Security & Privacy > Privacy



6. Click on the "Lock" to make changes



7. Scroll and select "Screen Recording" and check "DJTVirtualDisplayAgent"

8. Click on the Lock to save changes Click "Quit Now" and restart the laptop.

6 Display Settings

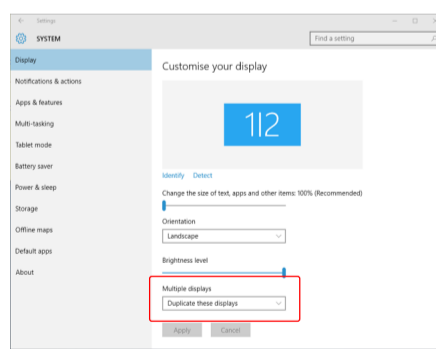
6.1 Duplicate Mode to Extend Mode for Windows

Duplicate Mode

-Right click on your desktop while Geminus (X) is connected and choose "Display Setting"

-Then you should either see this screen or the one at next Section

-If you have a duplicate screen and want to change it to extend mode, click on the "Duplicate these displays" from the drop down box

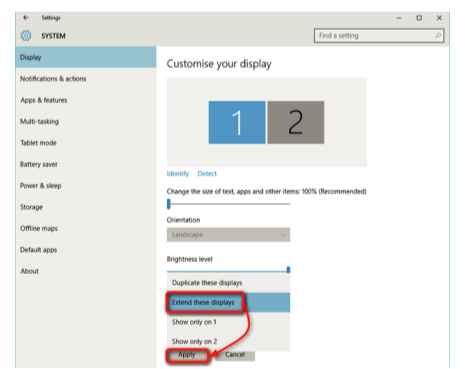


Extended Mode

-When the drop down box is opened, choose "Extend these displays"

-Then click "Apply"

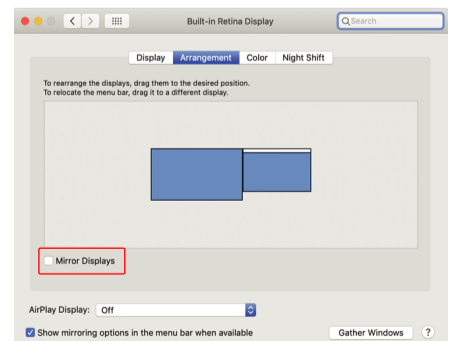
-Now you are in Extend Mode



6.2 Duplicate Mode to Extend Mode for Mac OS

- Click on system preference and go to Displays

- Checking the "Mirror Displays" box will switch between duplicate and extend mode for Geminus (X)



6.3 Rotate Display and Layout set up for Windows

If you are already in "Extend mode" and want to use Geminus (X) on the left

1. First click on the 2nd screen icon
2. Then open the Orientation drop down box and change it from "Landscape" to "Landscape (flipped)"; Choose "Portrait" for Portrait Mode.
3. Then click "Apply"

-Now your screen is upside down and ready to be use on the left with 1 extra step.

-Move the 2nd display icon from the right to the left of the 1st display by simply "Drag and Drop" it.

-Click "Apply" to finish the setting of the lay out.

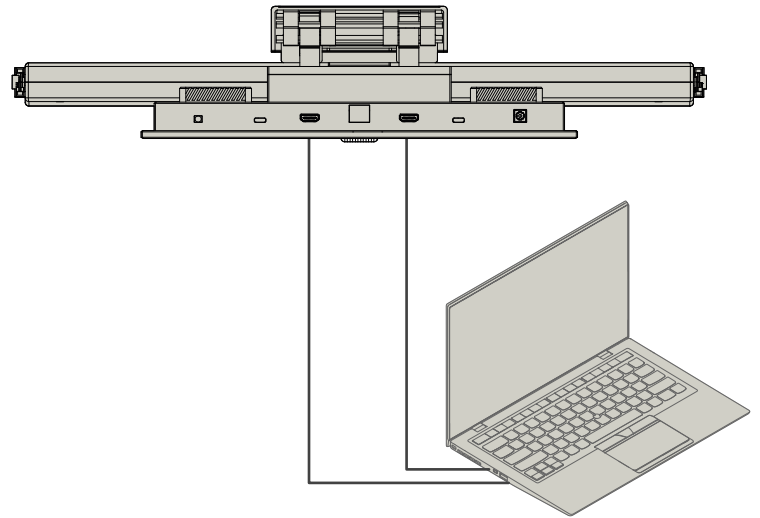
How to Connect to Geminos

There are 3 ways to connect the geminos via USB-C and or HDMI. When setting up, treat the Geminos as two separate monitors.

METHOD #1: HDMI + HDMI

Take the 2 HDMI cables and plug those into the side of your computer and the back of you monitor -one connection where it says "Top", and one where it says "Bottom".

 **X2** HDMI CABLES

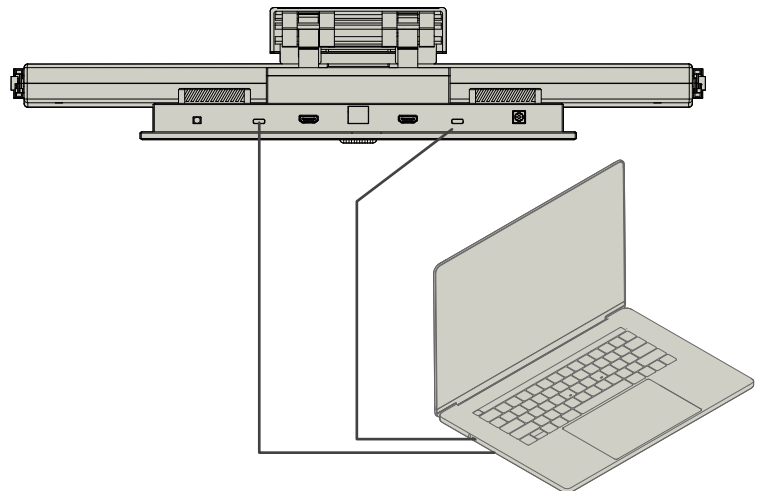


METHOD #2: USB-C + USB-C

Take the 2 USB-C cables and plug those into the side of your computer and the back to you monitor - one connection where it says "Top", and one where it says Bottom".

 **X2** USB-C CABLES

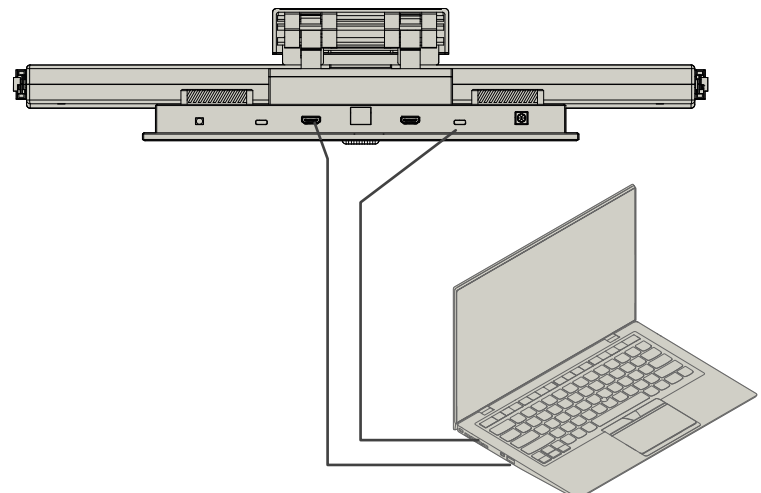
Disclaimer: This only works if you have two display enabled USB-C ports.



METHOD #3: HDMI + USB

Use the HDMI cable to plug into the computer and into the back of the monitor, specifically in the "Top" port. Then connect USB-C into a display port enabled USB-C port and connect the other end into the "Bottom" port of the monitor.

 **X1** USB-C CABLE
 **X1** HDMI CABLE



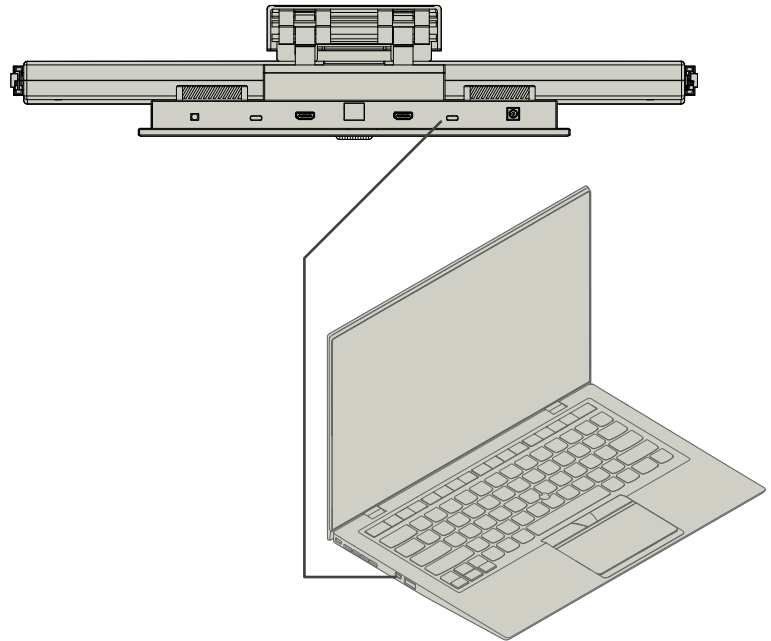
note: Webcam, Speakers, and Hub will only work with methods 2 and 3. For method 1 you will need an additional USB display.

DRIVERS

There are 2 ways to connect the Geminos via USB-C with a driver. Begin by heading over to our website www.mobilepixels.us and clicking driver at the top of the screen. Download the Geminos driver for your device - Windows or Mac.

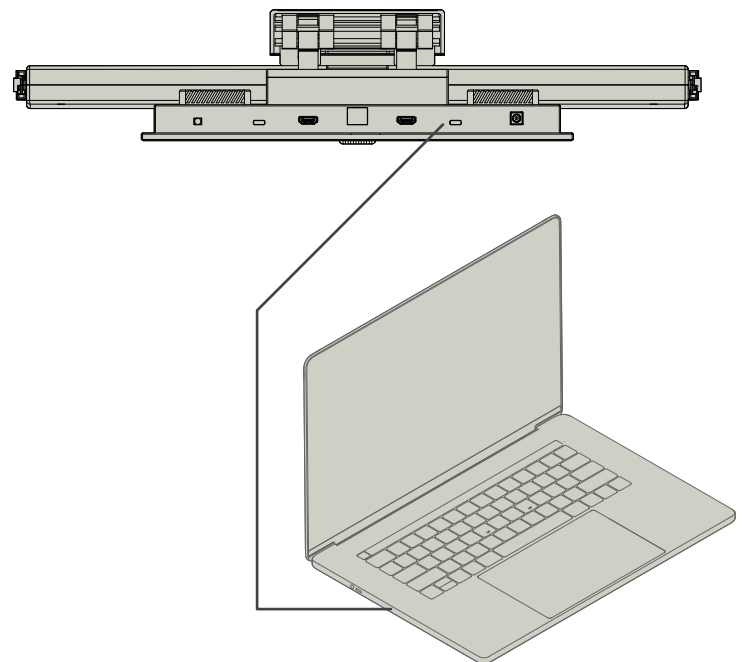
WINDOWS DRIVER

After downloading and installing the driver, restart your device. Once restarted, use the USB-C cable marked with the red ribbon to connect to the device and then to the "Bottom" display port on the Geminos. Tip: if windows does not pop up after the driver has downloaded, find the driver in your folder



MAC DRIVER

After downloading and installing the driver, restart your device. Once restarted, use the USB-C cable marked with the red ribbon to connect to the device and then to the "Bottom" display port on the Geminos. After connection, security questions should pop up. Once you have allowed all of them, you should see the Geminos power on.



Disclaimer: If you have an older Mac OS, instructions may vary.